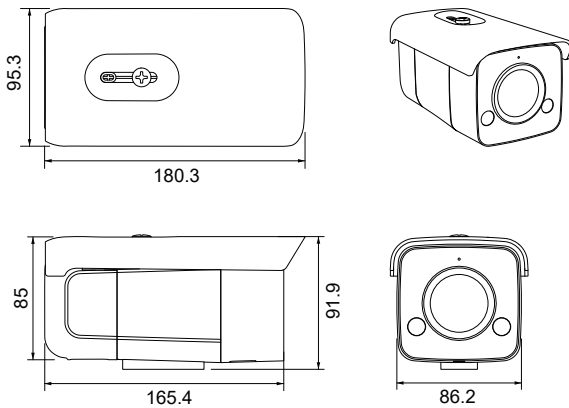


Waterproof Outdoor Sensor

PC6-H



Product Size



Unit: mm

Product Features

- 2 million pixels, up to 1920 × 1080P resolution
- Support People behavior trace analysis through intelligent tracking calculate
- Support 3D-DNR, support 120dB wide dynamic
- 3 categories people count: Walk-in, Walk-out and Passing Count
- Built-in microphone and speaker, voice intercom
- Support flash offline storage, Support ANR(Automatic Network Replenishment)
- Support POE
- IP67 Dust proof and water proof design, high reliability
- Adapt to major commercial complexes, supermarkets, stores and other places

Technical Parameters

Basic parameter

Sensor	1/2.7" Progressive Scan CMOS
Minimal Illumination	0.002Lux @(F1.2,AGC ON) , 0 Lux with IR
Shutter	1/3sec to 1/100,000 sec
Slow Shutter	Support
Lens	4mm, FOV-H:111.7°, FOV-V:56.8°, FOV-D:137.8°
Lens Interface Type	M12
Day/Night	ICR infrared filter
DNR	3D-DNR
WDR	120dB

Audio-video coding

MPEC	H.265/H.264/ MJPEG
H.265	Main Profile
H.264	BaseLine Profile / Main Profile / High Profile
Video bit rate	32 Kbps~8Mbps
Audio compression standard	G.711/G.722.1/G.726/MP2L2/PCM
Audio compression rate	64Kbps(G.711) /16Kbps(G.722.1) / 16Kbps(G.726) / 32-192Kbps(MP2L2)

Image

Resolution	1920 × 1080
FPS	50Hz: 25fps (1920 x 1080, 1280 x 960, 1280 x 720)
Image Config	HSB,Brightness,CR,Acutance,WB
Back Light Compensation(BLC)	Support
HLC	Support
Day/Night	Day, night, automatic, timing, alarm trigger
Other	ROI supports one fixed area for the main stream and sub-stream

Audio

Environmental noise filtering	Support
Audio input/output	Support PBTL
Audio Sampling	8 kHz/16 kHz/32 kHz/44.1 kHz/48 kHz

Net work

Protocol Support	TCP/IP, ICMP, HTTP, HTTPS, FTP, DHCP, DNS, DDNS, RTP, RTSP, RTCP, PPPoE, NTP, UPnP, SMTP, SNMP, IGMP, 802.1X, QoS, IPv6, UDP, Bonjour, SSL/TLS
Interface Protocol	ONVIF(PROFILE S,PROFILE G), ISAPI, SDK, Ehome,GB28181

People counting

Three-way People counting statistics	a) The intelligent tracking algorithm is used to analyze the behavior trajectory of pedestrians, the number of passengers and the direction of walking are accurately calculated by combining the rule box configuration b) Built-in storage of people count data, support data re-transmission to support classified statisticians to walk-in, walk-out and pass passenger flow statistics
--------------------------------------	--

Product features and technical specifications are subject to change without further notice / Version no. 01/2022 / All rights reserved

Waterproof Outdoor Sensor

Technical Parameters

External interface

Network interface	1×RJ45 10M/100M
Audio interface	Support: 1×Line in

Other interface

Alarm interface	1× Alarm input;1×Alarm output maximum support DC24V/AC24V 1A
Power interface	Supports two - way DC12V 100mA power output

Working Environment

Working Temperature	-30°C~60°C
Working Humidity	95% ≤ (No condensation)
Power Supply	DC12V±25% / PoE(802.3af)
Power Interface	Φ5.5mm Round interface
Power Consumption	DC12V:9W Max PoE:10.5W Max
IR LED Detection Distance	Up to 50 meters
IP Grade	IP67
Size	180.3 x 95.3 x 91.9 mm
Weight	Device:670g With Package:870 g